

PRODUCT INFORMATION PACKET

Model No: 5KH37PN36
Catalog No: H209
1/6,1140,DP,56CZ,1/60/115
Single Phase



Regal and Marathon are trademarks of Regal Beloit Corporation or one of its affiliated companies.
©2018 Regal Beloit Corporation, All Rights Reserved. MC017097E



Product Information Packet: Model No: 5KH37PN36, Catalog No:H209 1/6,1140,DP,56CZ,1/60/115

Nameplate Specifications

Output HP	1/6 Hp	Output KW	0.13 kW
Frequency	60 Hz	Voltage	115 V
Current	4 A	Speed	1140 rpm
Service Factor	1.35	Phase	1
Efficiency	50.5 %	Duty	Continous
Insulation Class	B	KVA Code	P
Frame	56CZ	Enclosure	Drip Proof
Overload Protector	N/R	Ambient Temperature	40 °C
Drive End Bearing Size	6203	Opp Drive End Bearing Size	6203
UL	Recognized	CSA	Yes
CE	N		

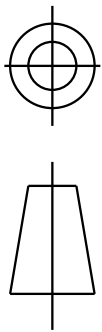
Technical Specifications

Electrical Type	Split Phase	Starting Method	SM
Poles	6	Rotation	Counterclockwise/Clockwise
Mounting	Round	Motor Orientation	ANY
Drive End Bearing	BALL	Opp Drive End Bearing	BALL
Frame Material	Rolled Steel	Overall Length	11.08 in
Frame Length	6.62 in	Shaft Diameter	0.63 in
Shaft Extension	2.25 in	Thru-bolts Extension	0
Outline Drawing	52A102411P5	Connection Diagram	52A105377AA

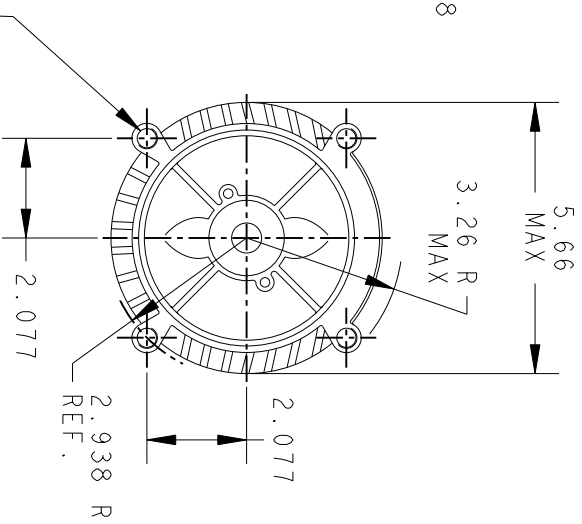
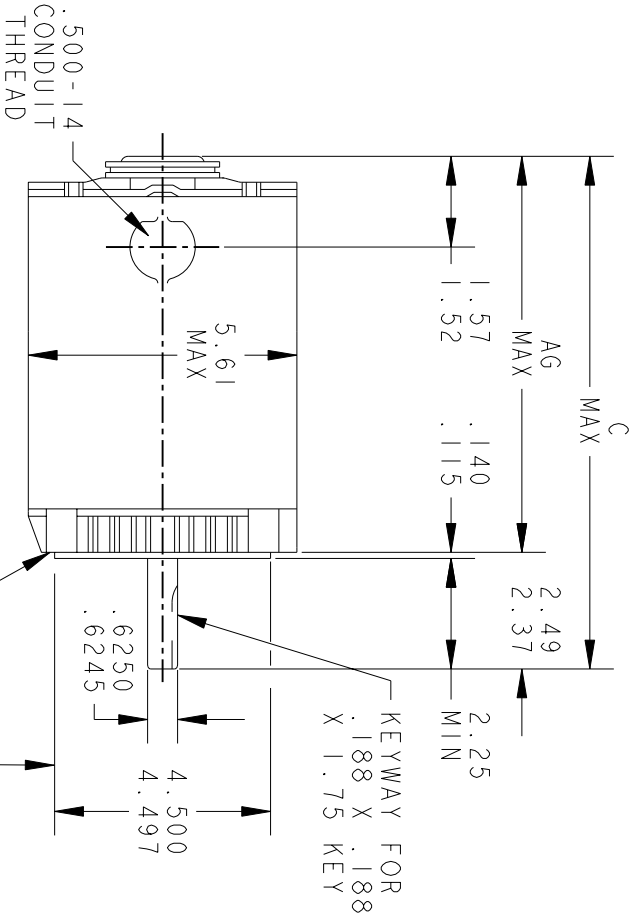
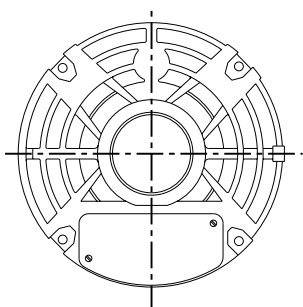
This is an uncontrolled document once printed or downloaded and is subject to change without notice. Date Created: 10/08/2018

This document is the property of REGAL-BELOIT CORPORATION ("BGC") including its subsidiaries and divisions and contains proprietary information of BGC. This document is loaned on the express condition that neither the recipient nor any other person shall be permitted to disseminate, copy, reproduce, or otherwise use the information contained herein without the express written consent of BGC. BGC shall retain the right to remove or restrict access to this document at any time. This document shall be returned to BGC upon its request. This document may be subject to certain restrictions under U.S. export control laws and regulations.

THIRD ANGLE PROJECTION



VIEW FACING
LEAD END



FACE RUNOUT (WITH INDICATOR MOUNTED STATIONARY, RELATIVE TO SHAFT) MUST NOT EXCEED .010 TIR

ECCENTRICITY OF THIS SURFACE (WITH INDICATOR MOUNTED STATIONARY RELATIVE TO SHAFT) MUST NOT EXCEED .010 TIR

.375-16 UNC-2B (4 HOLES)
.82 MIN. FULL THD. THESE HOLES FIT A GAGE HAVING A RABBET 4.5005 DIA. AND 4 PINS .2917 DIA. LOCATED ON THE BASIC HOLE POSITIONS.

5	KH	37	56CZ	11.08	8.61
4	KH	36	56CZ	10.68	8.21
3	KH	35	56CZ	10.25	7.78
2	KH	33	56CZ	9.87	7.40
1	KH	32	56CZ	9.62	7.15

PT	TYPE	GE SIZE	NEMA FR	C	AG	SHELL REF
----	------	---------	---------	---	----	-----------

FOR ADDITIONAL INFO REFER TO:

APPLIED PRACTICES	MODEL	SIGNATURES	DATE
DIMENSIONS ARE IN INCHES	DETAIL	BCC	09/02/17

TOLERANCE ON:

- 1 PL DECIMALS ± 0.1
 - 2 PL DECIMALS ± 0.02
 - 3 PL DECIMALS ± 0.005
- ANGLES ± 1.0
FRACTIONS ±

FINISH	QUALITY	MDP
ISSUED	9/19/96	

MATERIAL	SOLID MODEL: 52A102411
----------	------------------------



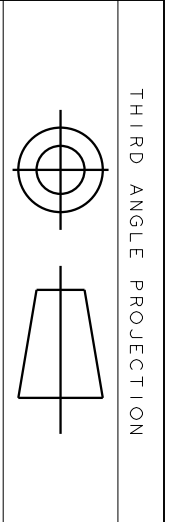
REGAL-BELOIT CORPORATION

OUTLINE

FORM "N" MOTOR-DRIP PROOF R2 END MOUNTED
-SLEEVE & BALL BEARING. FME SKH32DNIII

52A102411 REV 6

SCALE: 1.000 REF. No.: SHEET 1 of 1



THIRD ANGLE PROJECTION

REVISIONS

REV.	DESCRIPTION	DATE	APPROVED
1	UPDATED FORMAT	11/10/05	MAM

EITHER ROTATION - SINGLE VOLTAGE
TYPE KC, OR KH



NOTE #1 - TO REVERSE ROTATION INTERCHANGE BLACK (T5-KH OR J9-KC) AND RED (T8) LEADS.

NOTE #2 - WHEN MORE THAN ONE CAPACITOR IS USED CONNECT IN PARALLEL.

REF. DIAG. - 121A850		SWITCH (C) - 115D958AB	
CONNECTION LABEL - 52X332047			
REGAL-BEVOLOT CORPORATION			
CONNECTION DIAGRAM			
FME: 30 FRAME SWITCH REDESIGN			
M.F.G		REV	
QUALITY		1	
ISSUED		M.D.P.	
M.D.P.		06/29/87	
CHECKED			
ENGRG			
FOR ADDITIONAL INFO REFER TO:			
APPLIED PRACTICES		DIMENSIONS ARE IN INCHES	
MATERIAL		SOLID MODEL: 52A105377AA	
SIGNATURES		DATE	
M.D.PAPE		06/29/87	
DETAIL			
CHECKED			
ENGRG			
M.F.G			
QUALITY			
ISSUED		M.D.P.	
M.D.P.		06/29/87	
CHECKED			
ENGRG			
M.F.G			
QUALITY			
ISSUED		M.D.P.	
M.D.P.		06/29/87	
CHECKED			
ENGRG			
M.F.G			
QUALITY			
ISSUED		M.D.P.	
M.D.P.		06/29/87	
CHECKED			
ENGRG			
M.F.G			
QUALITY			
ISSUED		M.D.P.	
M.D.P.		06/29/87	
CHECKED			
ENGRG			
M.F.G			
QUALITY			
ISSUED		M.D.P.	
M.D.P.		06/29/87	
CHECKED			
ENGRG			
M.F.G			
QUALITY			
ISSUED		M.D.P.	
M.D.P.		06/29/87	
CHECKED			
ENGRG			
M.F.G			
QUALITY			
ISSUED		M.D.P.	
M.D.P.		06/29/87	
CHECKED			
ENGRG			
M.F.G			
QUALITY			
ISSUED		M.D.P.	
M.D.P.		06/29/87	
CHECKED			
ENGRG			
M.F.G			
QUALITY			
ISSUED		M.D.P.	
M.D.P.		06/29/87	
CHECKED			
ENGRG			
M.F.G			
QUALITY			
ISSUED		M.D.P.	
M.D.P.		06/29/87	
CHECKED			
ENGRG			
M.F.G			
QUALITY			
ISSUED		M.D.P.	
M.D.P.		06/29/87	
CHECKED			
ENGRG			
M.F.G			
QUALITY			
ISSUED		M.D.P.	
M.D.P.		06/29/87	
CHECKED			
ENGRG			
M.F.G			
QUALITY			
ISSUED		M.D.P.	
M.D.P.		06/29/87	
CHECKED			
ENGRG			
M.F.G			
QUALITY			
ISSUED		M.D.P.	
M.D.P.		06/29/87	
CHECKED			
ENGRG			
M.F.G			
QUALITY			
ISSUED		M.D.P.	
M.D.P.		06/29/87	
CHECKED			
ENGRG			
M.F.G			
QUALITY			
ISSUED		M.D.P.	
M.D.P.		06/29/87	
CHECKED			
ENGRG			
M.F.G			
QUALITY			
ISSUED		M.D.P.	
M.D.P.		06/29/87	
CHECKED			
ENGRG			
M.F.G			
QUALITY			
ISSUED		M.D.P.	
M.D.P.		06/29/87	
CHECKED			
ENGRG			
M.F.G			
QUALITY			
ISSUED		M.D.P.	
M.D.P.		06/29/87	
CHECKED			
ENGRG			
M.F.G			
QUALITY			
ISSUED		M.D.P.	
M.D.P.		06/29/87	
CHECKED			
ENGRG			
M.F.G			
QUALITY			
ISSUED		M.D.P.	
M.D.P.		06/29/87	
CHECKED			
ENGRG			
M.F.G			
QUALITY			
ISSUED		M.D.P.	
M.D.P.		06/29/87	
CHECKED			
ENGRG			
M.F.G			
QUALITY			
ISSUED		M.D.P.	
M.D.P.		06/29/87	
CHECKED			
ENGRG			
M.F.G			
QUALITY			
ISSUED		M.D.P.	
M.D.P.		06/29/87	
CHECKED			
ENGRG			
M.F.G			
QUALITY			
ISSUED		M.D.P.	
M.D.P.		06/29/87	
CHECKED			
ENGRG			
M.F.G			
QUALITY			
ISSUED		M.D.P.	
M.D.P.		06/29/87	
CHECKED			
ENGRG			
M.F.G			
QUALITY			
ISSUED		M.D.P.	
M.D.P.		06/29/87	
CHECKED			
ENGRG			
M.F.G			
QUALITY			
ISSUED		M.D.P.	
M.D.P.		06/29/87	
CHECKED			
ENGRG			
M.F.G			
QUALITY			
ISSUED		M.D.P.	
M.D.P.		06/29/87	
CHECKED			
ENGRG			
M.F.G			
QUALITY			
ISSUED		M.D.P.	
M.D.P.		06/29/87	
CHECKED			
ENGRG			
M.F.G			
QUALITY			
ISSUED		M.D.P.	
M.D.P.		06/29/87	
CHECKED			
ENGRG			
M.F.G			
QUALITY			
ISSUED		M.D.P.	
M.D.P.		06/29/87	
CHECKED			
ENGRG			
M.F.G			
QUALITY			
ISSUED		M.D.P.	
M.D.P.		06/29/87	
CHECKED			
ENGRG			
M.F.G			
QUALITY			
ISSUED		M.D.P.	
M.D.P.		06/29/87	
CHECKED			
ENGRG			
M.F.G			
QUALITY			
ISSUED		M.D.P.	
M.D.P.		06/29/87	
CHECKED			
ENGRG			
M.F.G			
QUALITY			
ISSUED		M.D.P.	
M.D.P.		06/29/87	
CHECKED			
ENGRG			
M.F.G			
QUALITY			
ISSUED		M.D.P.	
M.D.P.		06/29/87	
CHECKED			
ENGRG			
M.F.G			
QUALITY			
ISSUED		M.D.P.	
M.D.P.		06/29/87	
CHECKED			
ENGRG			
M.F.G			
QUALITY			
ISSUED		M.D.P.	
M.D.P.		06/29/87	
CHECKED			
ENGRG			
M.F.G			
QUALITY			
ISSUED		M.D.P.	
M.D.P.		06/29/87	
CHECKED			
ENGRG			
M.F.G			
QUALITY			
ISSUED		M.D.P.	
M.D.P.		06/29/87	
CHECKED			
ENGRG			
M.F.G			
QUALITY			
ISSUED		M.D.P.	
M.D.P.		06/29/87	
CHECKED			
ENGRG			
M.F.G			
QUALITY			
ISSUED		M.D.P.	
M.D.P.		06/29/87	
CHECKED			
ENGRG			
M.F.G			
QUALITY			
ISSUED		M.D.P.	
M.D.P.		06/29/87	
CHECKED			
ENGRG			
M.F.G			
QUALITY			
ISSUED		M.D.P.	
M.D.P.		06/29/87	
CHECKED			
ENGRG			
M.F.G			
QUALITY			
ISSUED		M.D.P.	
M.D.P.		06/29/87	
CHECKED			
ENGRG			
M.F.G			
QUALITY			
ISSUED		M.D.P.	
M.D.P.		06/29/87	
CHECKED			
ENGRG			
M.F.G			
QUALITY			
ISSUED		M.D.P.	
M.D.P.		06/29/87	
CHECKED			
ENGRG			
M.F.G			
QUALITY			
ISSUED		M.D.P.	
M.D.P.		06/29/87	
CHECKED			
ENGRG			
M.F.G			
QUALITY			
ISSUED		M.D.P.	
M.D.P.		06/29/87	
CHECKED			
ENGRG			
M.F.G			
QUALITY			
ISSUED		M.D.P.	
M.D.P.		06/29/87	
CHECKED			
ENGRG			
M.F.G			
QUALITY			
ISSUED		M.D.P.	
M.D.P.		06/29/87	
CHECKED			
ENGRG			
M.F.G			
QUALITY			
ISSUED		M.D.P.	
M.D.P.		06/29/87	
CHECKED			
ENGRG			
M.F.G			
QUALITY			
ISSUED		M.D.P.	
M.D.P.		06/29/87	
CHECKED			
ENGRG			
M.F.G			
QUALITY			
ISSUED		M.D.P.	
M.D.P.		06/29/87	
CHECKED			
ENGRG			
M.F.G			
QUALITY			
ISSUED		M.D.P.	
M.D.P.		06/29/87	
CHECKED			
ENGRG			
M.F.G			
QUALITY			
ISSUED		M.D.P.	
M.D.P.		06/29/87	
CHECKED			
ENGRG			
M.F.G			
QUALITY			
ISSUED		M.D.P.	
M.D.P.		06/29/87	
CHECKED			
ENGRG			
M.F.G			
QUALITY			
ISSUED		M.D.P.	
M.D.P.		06/29/87	
CHECKED			
ENGRG			
M.F.G			
QUALITY			
ISSUED		M.D.P.	
M.D.P.		06/29/87	
CHECKED			
ENGRG			
M.F.G			
QUALITY			
ISSUED		M.D.P.	
M.D.P.		06/29/87	
CHECKED			
ENGRG			
M.F.G			
QUALITY			
ISSUED		M.D.P.	
M.D.P.		06/29/87	
CHECKED			
ENGRG			
M.F.G			
QUALITY			
ISSUED		M.D.P.	
M.D.P.		06/29/87	
CHECKED			
ENGRG			
M.F.G			
QUALITY			